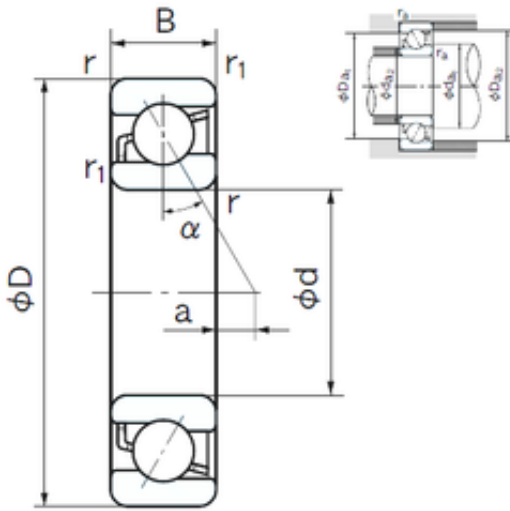




GENUINE ORIGINAL GERMAN BEARINGS CO.,LTD



160 mm x 340 mm x 68 mm NACHI 7332B
angular contact ball bearings

Bearing No. 7332B

7332B Bearing 2D drawings and 3D CAD models

Size	160x340x68 mm
Bore Diameter	160 mm
Outer Diameter	340 mm
Width	68 mm
d	160 mm
D	340 mm
B	68 mm
C	68 mm
Angle (°)	40 °
a	70.9 mm
r min.	4 mm
r1 min.	1.5 mm
da min.	178 mm
Da max.	322 mm
ra max.	3 mm
Weight	30.2 Kg
Basic dynamic load rating (C)	325 kN
Basic static load rating (C0)	395 kN
(Grease) Lubrication Speed	1500 r/min
Configuration	Single Row
Enclosure	Open
Bore Type	Cylindrical Bore
Bore Size	160 mm
Outside Diameter	340 mm
Width	68 mm



GENUINE ORIGINAL GERMAN BEARINGS CO.,LTD

Fillet Radius/Chamfer	4 mm
r1	1.5 mm
Dynamic Load Rating	325,000 N
Static Load Rating	395,000 N
Limiting Speed - Grease	1,500 rpm
Limiting Speed - Oil	2,000 rpm
da1 (min)	178 mm
da2 (min)	169 mm
Da1 (max)	322 mm
Da2 (max)	331 mm
ra (max)	3 mm
ra1 (max)	1.5 mm